

Type: **CI-K2-PKZ0-G**
Article No.: **219654**
Sales text **Accessories CI-K2-PKZ0**



For PKZM0 motor-protective circuit-breakers

Ordering information

Description			With black/grey rotary handle
Protection type			IP65

Note concerning the product

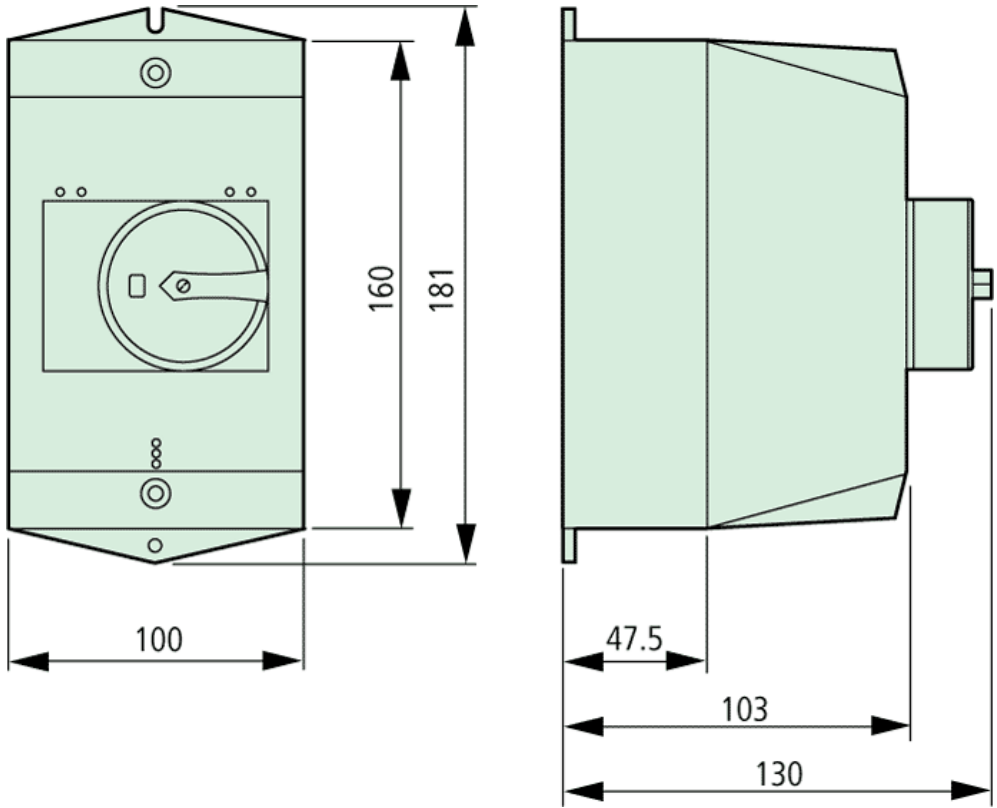
M25 metric cable entry knockout, top and bottom

Push-through cable entry diaphragm top, bottom, in the back plate and for control cable entry.

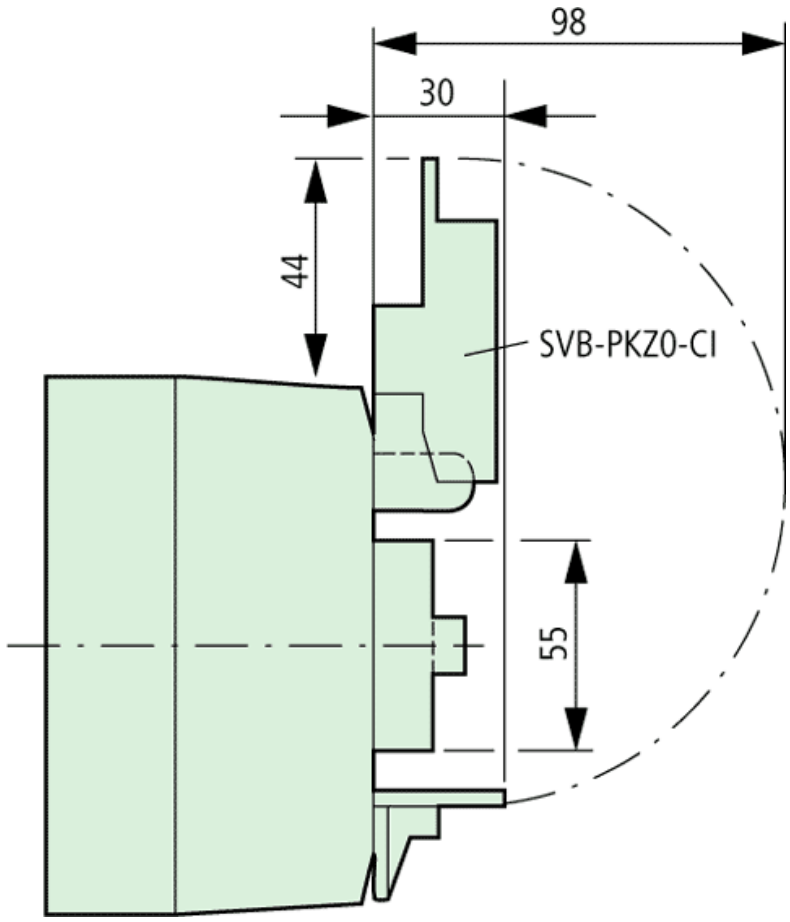
CI-K2 insulated enclosure includes N and PE terminal.

Insulated enclosure for top mounting

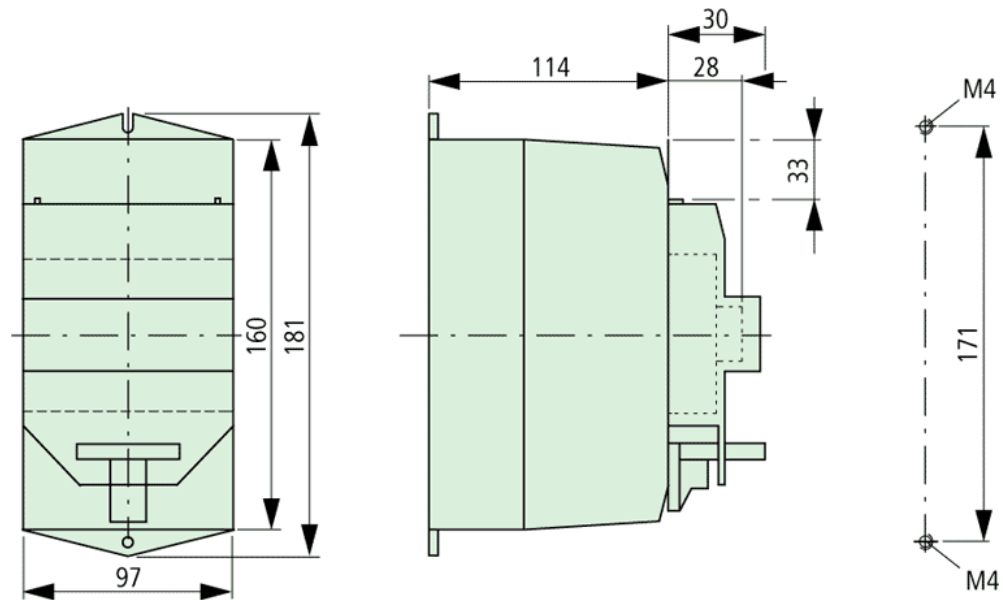
Dimensions



Dimensions



Dimensions



Drilling dimensions

Moeller GmbH, Hein-Moeller-Str. 7-11, D-53115 Bonn
E-Mail: catalog@moeller.net, Internet: www.moeller.net, <http://catalog.moeller.net>
HPL-C2007G V2.1 © 2007 by Moeller GmbH